

LIQUI-BOX 1500 SERIES FILLERS



OPERATOR FRIENDLY

This fully automatic strip bag filler is intuitive by design, providing a simple, efficient operation for beverage, dairy and flowable food products. One operator can monitor and operate all filler functions keeping your production efficient and your overhead to a minimum.

COMPLETELY AUTOMATIC

Utilizing touch screen technology, the Liqui-Box 1500 completely takes over when the cycle begins. Multiple Liqui-Box 1500 fillers in one operation are commonplace worldwide.

TIME IS MONEY

Liqui-Box is with you every step of the way to setup the Liqui-Box 1500 and ensure your production efficiency. When the product run is complete, the Liqui-Box 1500 nearly eliminates downtime with quick 5 minute changeovers when utilizing the same spouts and caps and only 30 minute changeovers with different fitments. The Liqui-Box 1500 utilizes strip-bag totes to maximize your buying power and keep your filler producing longer between changeovers.



IB LIQUI-BOX
DESIGN. CONNECT. DELIVER.

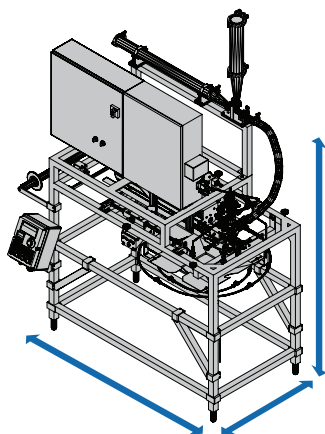
STANDARD FEATURES

This fully automatic strip-bag filler also features:

- A bag feeder/separator that delivers greater variation in perforation alignment for reliable hassle-free production
- No cap/no fill sensor, eliminating product loss & downtime
- Automatic "clean-in-place" function for easy changeovers
- Superior engineering team for technical support worldwide
- A highly accurate fill valve that minimizes product waste

FILLER CONFIGURATIONS

The Liqui-Box 1500 delivers efficient filling for conventional products and is available in an ESL configuration allowing you to prolong your products valuable shelf life. The Liqui-Box 1500 also comes with multiple loading options making it the perfect fit for your production environment.



36" D x 72" W x 84" H
(91cm D x 183cm W x 213cm H)

RATE OF FILL

The chart below is based on averages recorded in various client operations. Your actual rate will depend on operator dexterity, product supply rate and bag size.

Volume G (L)	BPM
1G (4L)	12 - 14
2.5G (10L)	10 - 12
5G (20L)	7 - 9



A WORLD PACESETTER

With multiple fillers in single operations worldwide, the Liqui-Box 1500 continues to set the standard in automatic strip bag fillers everywhere.

WE'RE HERE FOR YOU

Our 50+ years of service to flexible packaging continues to reveal our commitment to excellence in bag-in-box packaging. We welcome the opportunity to deliver the perfect filler for your operation.

Global headquarters
1-800-260-4376

Worldwide locations
liquibox.com

